

ZOOMLION
NORTH AMERICA

FB20-25H

ELECTRIC FORKLIFT



High efficiency



High performance
battery



Reliable design



PRODUCT CHARACTERISTICS



The low resistance design of tire reduces energy consumption.



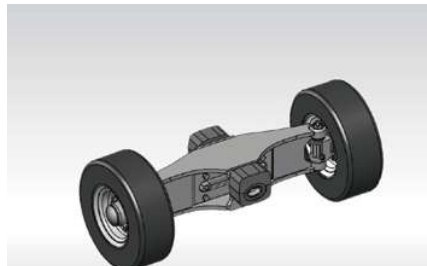
Special charging port, convenient charging.



optional Fingertip control system set to rise and fall, forward, backward, lateral and emergency stop switch, a horn, lighting control and other control buttons in one.



A automobile-like design of the steering wheel and direction switch makes operation more convenient; 3 working modes makes working more efficiently.



The shock absorption design of the steering axle reduce the vibration greatly when travelling.



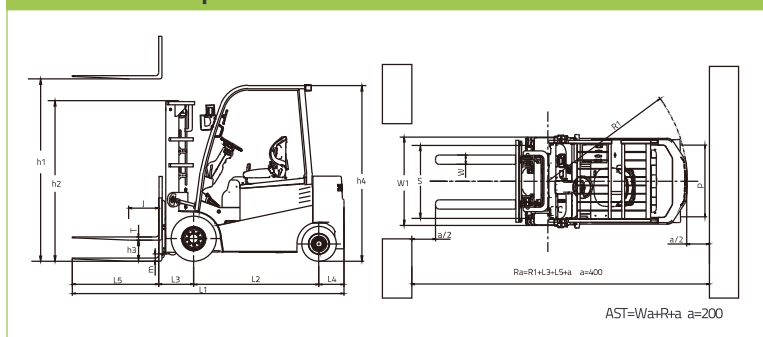
Standard LED front light and combination rear lights.

Machine Parameters

Characteristics		FB20H	FB25H
Power	-	Battery	Battery
Rated Capacity	lb	4409	5512
Load Center	J(in)	19.7	19.7
Lifting Height	H1(in)	118.1	118.1
Free Lifting Height	H3(in)	5.7	5.7
Fork Size LxWxH	L5xWxT(in)	42x4.8x1.6	42x4.8x1.6
Mast Tilting Angle Forward/Backward	°	6/10	6/10
Min. Turning Radius	R1(in)	90.8	90.8
Min. Ground Clearance	m(in)	4.7	4.7
Overhead Guard Height	H4(in)	86	86
Front overhang	L3(in)	18.7	18.7
Performance			
Max. Traveling Speed (loaded)	km/h	14.5	14.5
Max. Lifting Speed (loaded/unloaded)	mm/s	330/510	330/510
Max. Traction/Gradeability (loaded)	kN/%	18	18
Dimensions			
Overall Length(without fork)	L1(in)	94	94
Overall Width	W1(in)	45.3	45.3
Mast Height	H2(in)	79.2	79.2
Max. fork lifting height(With brackrest)	in	159	159
Chassis			
Tyre(Front)	-	7.00-12-12PR	7.00-12-12PR
Tyre(Rear)	-	18x7-8-14PR	18x7-8-14PR
Wheelbase	L2(in)	63	63
Tread(Front/Rear)	S(in)	37.8/37.4	37.8/37.4
Curb Weight(Non-load)	lb	8917.7	9468.9
Powertrain			
Battery(Voltage/Capacity)	V/Ah	48/600 (48/404)	48/600 (48/404)
Running motor power	kW	11	11
Lifting motor power	kW	14	14
Controller	-	CURTIS	CURTIS
Controller type	-	AC	AC
Work pressure	MPa	17.5	17.5

Remarks: The above parameters are based on 3M duplex standard mast.
() is the parameter of lithium battery.

Machine 2D Graph



Capacity Chart

